

Shower & Bath

Soflex Flexo

Shower chairs

Versatile and easy use



Wheelchairs for shower and toilet

REF. 5601.00 / 5604.00 / 5605.00

Transfer of patients, access to toilet or shower needs, body care, complete safety - all this courtesy of a versatile and comfortable device.



Soflex
Electric
5605.00



Soflex
Hydraulic
5601.00



Flexo
Hydraulic
5604.00

REVAL
SUSTAINABLE WELL-BEING

Shower & Bath

Soflex & Flexo

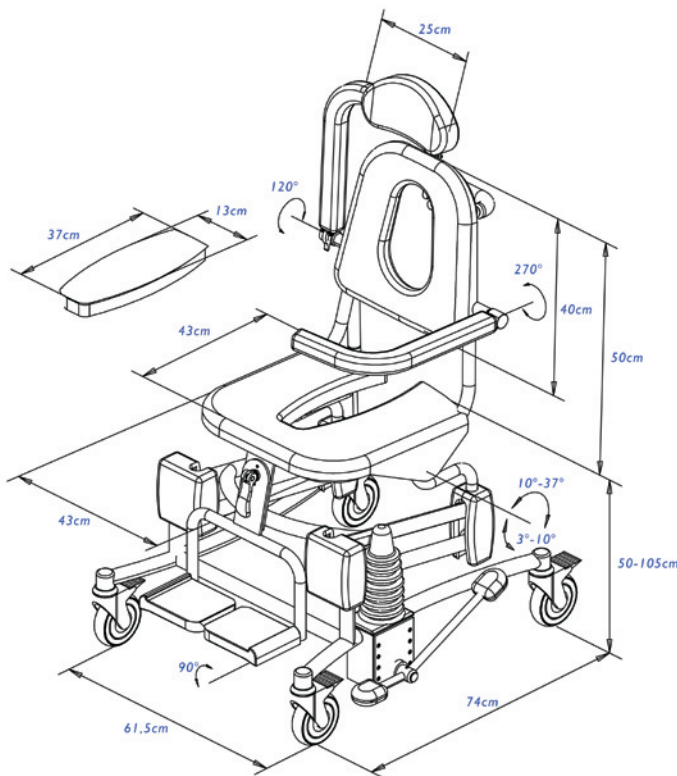


UNIQUE FEATURES

- Head and footrest that can be adjusted to match all heights and body types.
- The specially shaped and comfortable base facilitates washing, easily fits a wc pan or provides direct access to toilet seat.
- Takes up little floor space and features four swivel wheels with brakes.
- A powerful actuator that effortlessly lifts patients weighing up to 135 Kg.

Wheelchairs for shower and toilet

REF. 5601.00 / 5604.00 / 5605.00



Specifications

- Tubular steel structure, grey Rilsan coating.
- Ø125mm swivel castors with brakes.
- Pushing handle.
- Folding armrests with safety locks.
- Folding footrests adjustable in height.
- Detachable headrest adjustable in height.

Capacity - Performance features

- For persons weighing up to 135 Kg.
- Total weight of the chair : hydraulic 35 Kg / electric 39 Kg
- Minimum height of seat : 50 cm
- Lifting range : 55 cm
- Tilt range of the seat : 3 - 10° then 10 - 37°
- Height adjustment for headrest : 7 cm
- Height adjustment for footrests : 8 cm

Models

Soflex (hydraulic model) ref. **5601.00**

- Adjustable height by hydraulic jack and slope of seat assisted by gaz jack.

Soflex (electric model) ref. **5605.00**

- Adjustable height and slope of seat by 24V IPX6 electric jacks.
- 4 functions hand control.
- IPX5 waterproof electric box.

Flexo (hydraulic model) ref. **5604.00**

- Adjustable height by hydraulic jack, no manual slope of seat.
- Straight and folding armrests.

Flexo (hydraulic model) ref. **5604.10**

- Same that 5604.00 with folding armrests with safety locks.

Options

Pan option with guide rail ref. **5600.10**

Conformity

CE marking - 93/42/EEC directive (medical devices)